



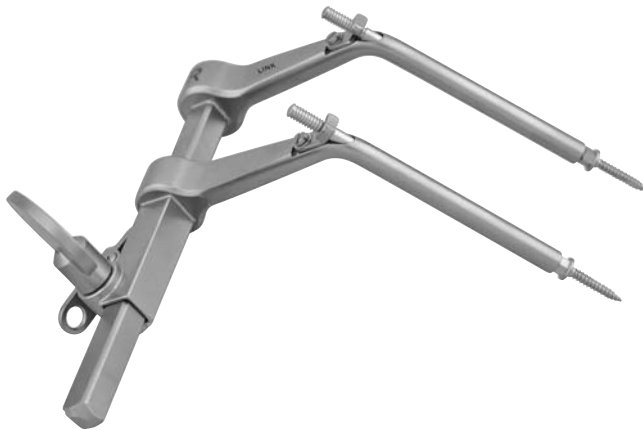
Wirbelkörperspreizer, mod., mit Distractionsschraubenfixierung

Vertebral Body Distractor, mod., with lock for Distraction Screws

Vertebral distraction can be achieved using a variety of instruments and techniques. One of the most common methods in anterior cervical spine surgery is the "Caspar Distractor."

The LINK Modified Caspar Distraction system uses screw shafts which are significantly longer than those employed by a standard system, and the spreader shanks are cannulated at the top. The gnurled surfaces of the screw shafts provide a secure interface for the Distractor's locking arms.

The locking arms keep the Distractor from "riding up" the caspar screws during the surgery and the longer screw shafts reduce pin splay during intervertebral distraction. For more information, call us at 866-385-7246 or email us at spine@linkorthopaedics.com.



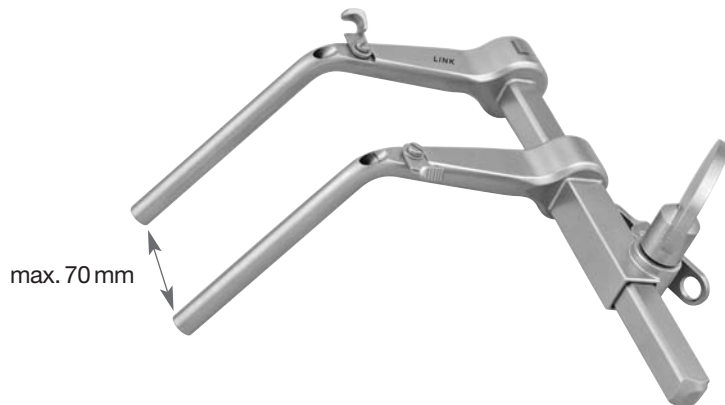
**Wirbelkörperspreizer, mod.,
mit Distractionsschrauben-
fixierung**

**Vertebral Body Distractor, mod.,
with lock for Distraction Screws**

75-6666/11

Nach rechts spreizend, 110 mm breit,
70 mm Distaktionsweite,
Schenkeltiefe 60 mm

*Spreading right, 110 mm wide,
total opening 70 mm,
depths of shank 60 mm*



max. 70 mm

75-6666/12

Nach links spreizend, 110 mm breit,
70 mm Distaktionsweite,
Schenkeltiefe 60 mm

*Spreading left, 110 mm wide,
total opening 70 mm,
depths of shank 60 mm*



rechts / right

75-2640/91

Bohrlehre,
für Spreizer 75-6666/11

*Drill Guide,
for Vertebral Body Distractor
75-6666/11*

75-2640/92

Bohrlehre,
für Spreizer 75-6666/12 (o. Abb.)

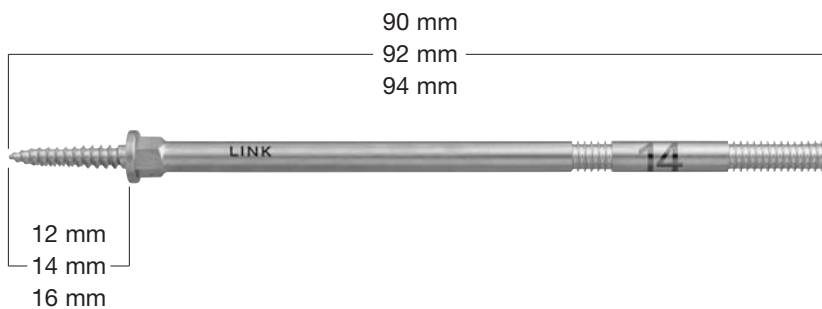
*Drill Guide,
for Vertebral Body Distractor
75-6666/12 (not ill.)*



75-6663/01

Spiralbohrer, mit Griff,
zum Vorbohren für 75-6664/22,
75-6664/24 und 75-6664/26,
170 mm

*Twist Drill, with handle,
for predrilling holes for 75-6664/22,
75-6664/24 and 75-6664/26,
170 mm*



Distractionsschrauben, modifiziert
(jeweils 2 St. erforderlich)

*Distraction Screws, modified
(2 ea. required)*

75-6664/22

Einschraubtiefe 12 mm,
Gesamtlänge 90 mm

*Reach of screw 12 mm,
total length 90 mm*

75-6664/24

Einschraubtiefe 14 mm,
Gesamtlänge 92 mm

*Reach of screw 14 mm,
total length 92 mm*

75-6664/26

Einschraubtiefe 16 mm,
Gesamtlänge 94 mm

*Reach of screw 16 mm,
total length 94 mm*



75-6665/02

Spezialschraubendreher,
245 mm

*Special Screwdriver,
245 mm*